

## INSTALLATION INSTRUCTIONS

### Preliminary Steps

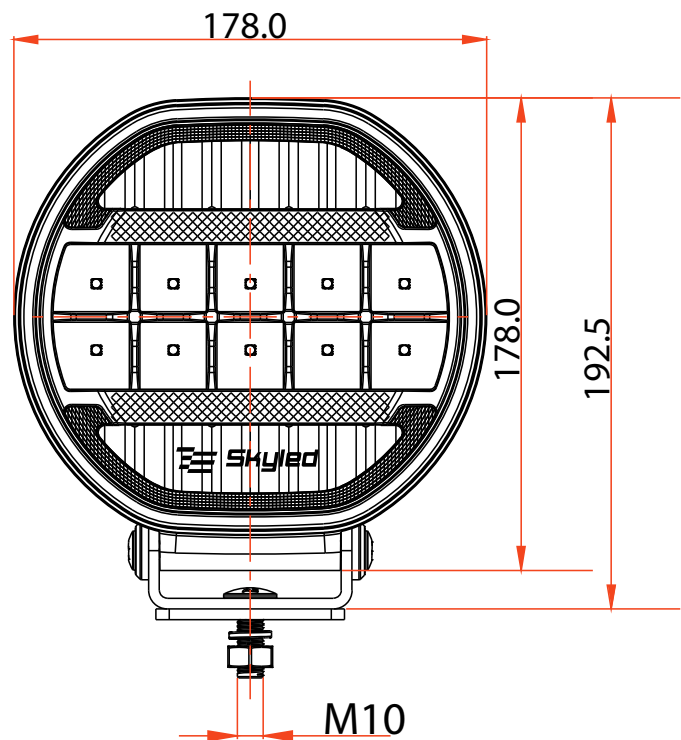
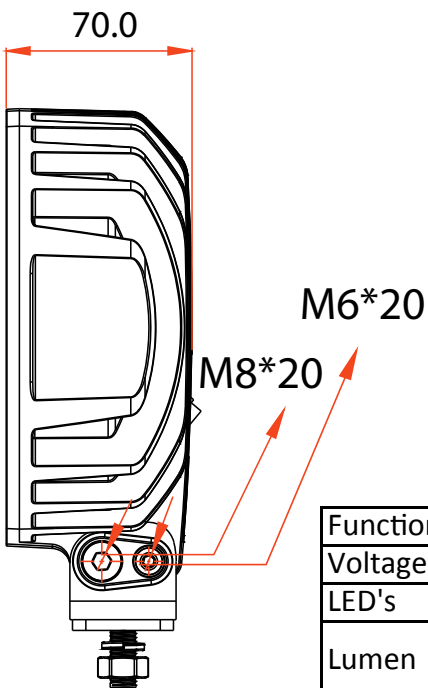
1. Read all instructions carefully and study diagrams before installing lights.
2. Check with state and local authorities for laws governing usage and proper mounting of auxiliary lamps.
3. Disconnect ground connection from battery (marked "-") to avoid accidental short circuits before attempting to connect electrical wires.
4. Route new wires along existing wiring. Tape as necessary to correct slack.
5. When running wires through the firewall, keep them away from moving parts.

### Mounting Lights

1. Drill 10 mm holes for screw placement on the surface where you would like to fix the light.
2. Use the bolt to fasten the lamp, add the locking washer and tighten the bolt.

#### 4. Wiring:

- Black (Ground wire),
- Red (Driving beam without ECE)
- Blue (Driving beam with ECE),
- White (White position light with ECE),
- Yellow (Orange position light without ECE)



Function	Dynamic Position Lights (white and orange), Driving Beam
Voltage	10-32V
LED's	90W (18 LED x 5W)
Lumen	OFFROAD: 7200 Lm (Raw), 5342 Lm (Effective) ECE: 7200 Lm (Raw), 3760 Lm (Effective)
Lux	1 lux (475 m) OFFROAD 1 lux (300 m) ECE
AMP Draw (12/24V)	7,2A / 3,64A OFFROAD 4,7A / 2,26A ECE
Light temperature	5700K
Certificates	ECE R10/R148/R149 (Ref.20) CE
IP classification	IP67, IP69K

### Warnings

1. Use as intended
2. Use in airy places
3. Do not touch the lamp during operation, immediately after it is turned off, the lamp may get warm
4. Any unauthorized interference with the lamp (associated with its depressurization, interference with the electronic system, etc.) is associated with the loss of warranty
5. The device must be installed and kept out of reach of children